

AIR AND GAS FLOAT TRAPS FA21SS

DESCRIPTION

The FA21SS compressed air float trap series are specially designed for draining water from high pressure compressed air and gas lines. Usual applications include aftercoolers, separators and compressed air and gas mains.

An air balance pipe must be fitted, to allow the air trapped in the FA21SS body to escape, avoiding obstructing the condensate flow.

MAIN FEATURES

Modulating discharge.
Unaffected by sudden or wide load and pressure changes.

OPTIONS: Equalizing and drain plug on body.
Lifting lever.

USE: Compressed air and non corrosive gases compatible with the construction.

AVAILABLE MODELS: FA21SS – stainless steel.

SIZES: 1/2" to 1"; DN 15 to DN 25.

CONNECTIONS: Female threaded ISO 7 Rp or NPT.
Flanged EN 1092-1 PN 40.
Flanged ASME B16.5 Class 150 or 300.
Special flanges upon request.

INSTALLATION: Horizontal or vertical installation.



APPLICATION LIMITS	
Minimum liquid specific weight	0,75 kg/dm ³
Maximum working differential pressure	21 bar

CE MARKING – GROUP 2 (PED – European Directive)	
PN 40	Category
1/2" to 1" – DN 15 to 25	SEP

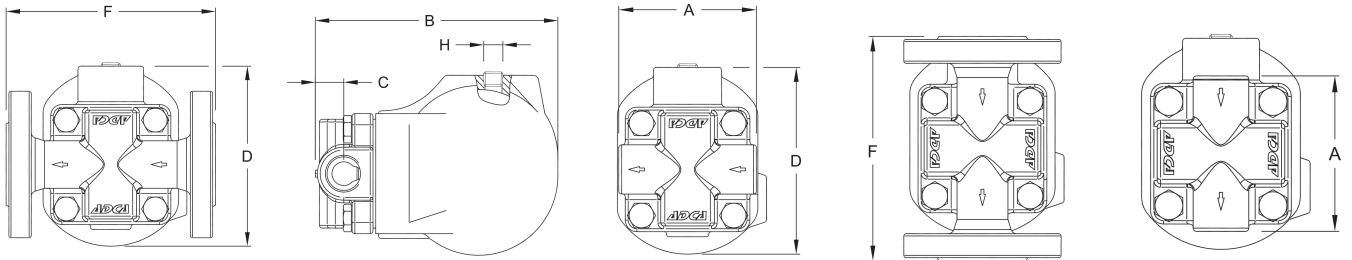
BODY LIMITING CONDITIONS		
FLANGED PN 25 / CLASS 300 *	FLANGED CLASS 150 **	RELATED TEMPERATURE
ALLOW. PRESS.	ALLOW. PRESS.	
25 bar	13,3 bar	100 °C
22,7 bar	12 bar	150 °C
21 bar	11,1 bar	200 °C
19,8 bar	10,2 bar	250 °C

PMO – Maximum operating pressure: 21 bar;
TMO – Maximum operating temperature: 200 °C.
* According to EN 1092-1:2018; ** According to EN 1759-1:2004.
Body limiting conditions PN 25 or below, depending on the type of connections adopted. Rating PN 25 for threaded, SW and BW versions.

FLOW RATE CAPACITY (kg/h)																
MODEL	SIZE	DIFFERENTIAL PRESSURE (bar)														
		0,5	1	1,5	2	3	4	6	7	8	9	10	12	14	16	21
FA21SS	1/2" to 1" DN 15 to 25	75	100	125	155	180	220	255	275	290	305	320	345	375	420	480

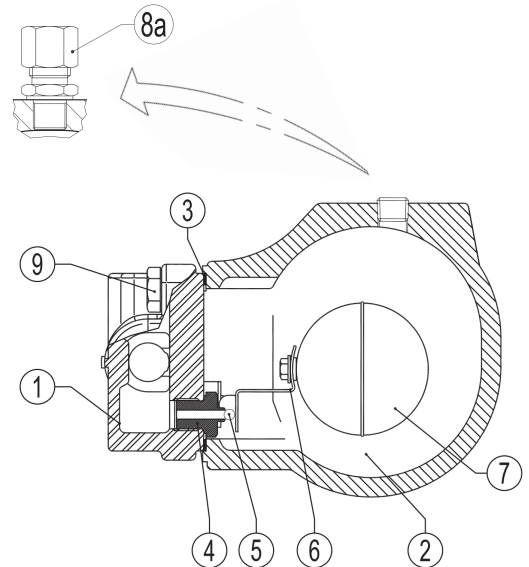
DIMENSIONS (mm)

SIZE	THREADED						PN 40		CLASS 150		CLASS 300	
	A	B	C	D	H	WGT. (kg)	F	WGT. (kg)	F	WGT. (kg)	F	WGT. (kg)
1/2" – DN 15	95	178	23	128	1/4" NPT	5,2	150	6,7	150	6,2	150	7
3/4" – DN 20	95	178	23	128	1/4" NPT	5,2	150	7,4	150	6,6	150	8,2
1" – DN 25	95	178	23	128	1/4" NPT	5,2	160	7,8	160	7,4	160	9



MATERIALS		
POS. N°	DESIGNATION	MATERIAL
1	Body	A351 CF8M / 1.4408
2	Cover	A351 CF8M / 1.4408
3	* Gasket	Stainless steel / Graphite
4	* Seat	AISI 410 / 1.4006
5	* Valve	Viton AISI 410 / 1.4006
6	* Lever	AISI 304 / 1.4301
7	* Float	AISI 304 / 1.4301
8A	** Compression fitting	Stainless steel or Steel Fe/Zn
9	Bolts	Stainless steel A2-70

* Available spare parts. ** Optional, against extra price.



TYPICAL INSTALLATION

